

SF-G on fan and pumps



Requirements:

1. There is a controller sending 0 to 10 volts signal to control the frequency.
2. A feedback signal from the inverter.
3. A light for error indicating.
4. A button for constant speed 45Hz

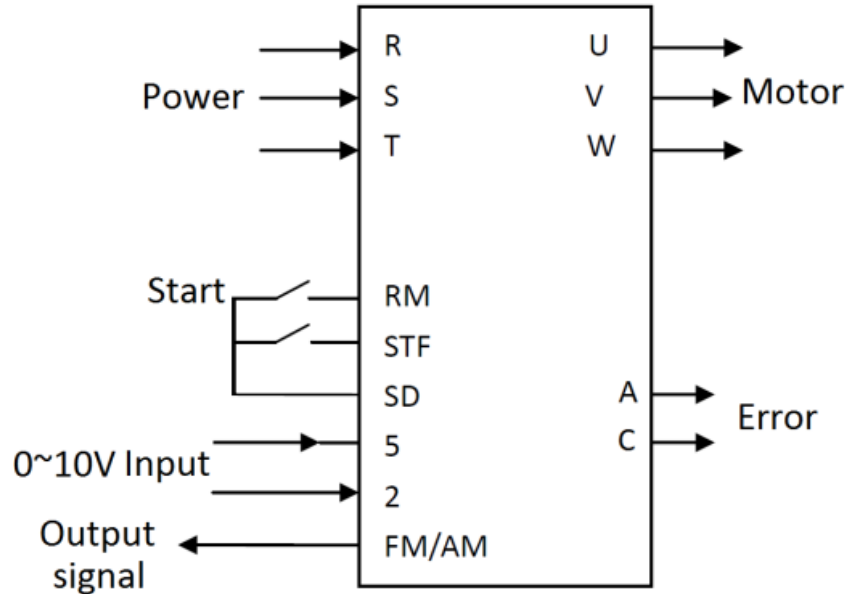
Wiring diagram:

The **STF** for forward and **RM** for frequency (set in **P.5**)

The error light is built in on terminal A C

Frequency signal 0~10V input terminal 2 5

FM/AM signal feedback



Parameters changed:

Number	Name	Setting range	Default value	Set value
P.1	Max frequency	0~120Hz	120Hz	45Hz
P.2	Min frequency	0~120Hz	0Hz	30Hz
P.5	Medium speed	0~400Hz	30Hz	45Hz
P.7	Acceleration time	0~360s/0~3600s	20s	30s
P.8	Deceleration time	0~360s/0~3600s	30s	60s
P.19	Base voltage	0~1000V,99999	99999	380V
P.38	Max frequency(2-5 input)	1~400Hz	60Hz	50Hz
P.39	Max frequency(4-5 input)	1~400Hz	60Hz	50Hz
P.73	Input voltage range	0(0~5V) 1(0~10V)	0	1
P.79	Operation mode	0~8	0	2
P.77	Parameters lock	0 1 2 4	0	1

We only use terminals to control so set **P.79=2**. To increase safety, we set **P.77** at the end to 1 to prevent value change by workers.